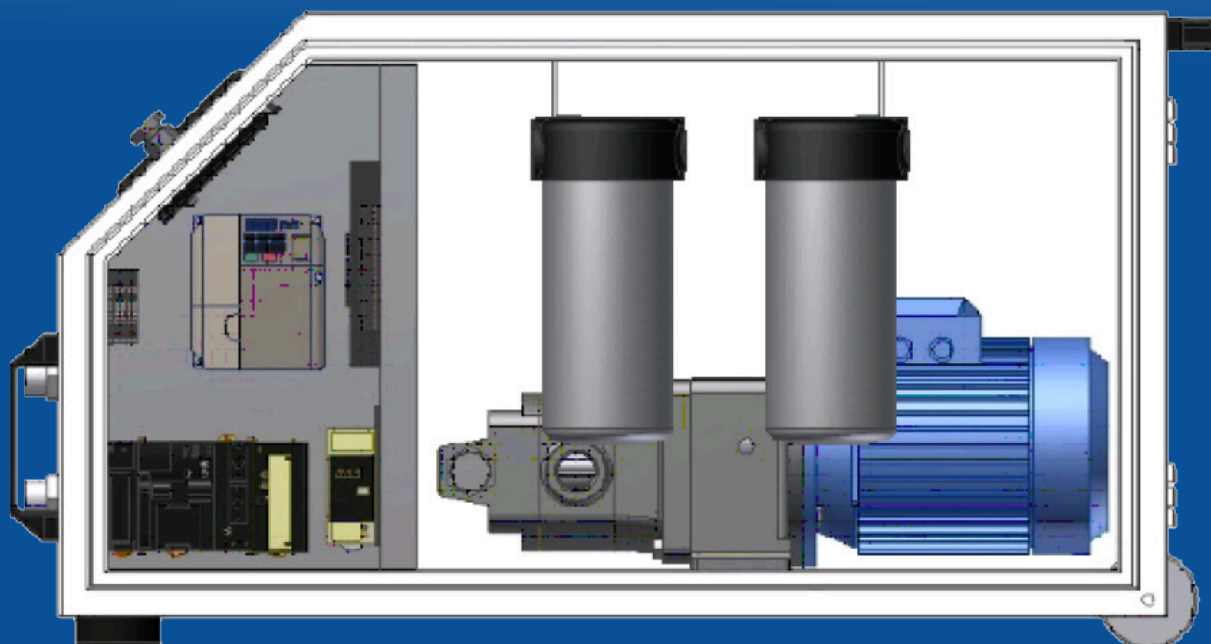


iPack

Series filtering units
for hydraulic and
gear systems



OIL MAINTENANCE UNIT





Series filtering units
for hydraulic and
gear systems

iPACK™ BASIC

Fully instrumented filter cart for maintenance of hydraulic and gear oils. iPACK™ BASIC gives the user an easy to use tool for filtration and transfer/filling tasks.

Removes both particle contamination and water. Rigid and durable construction, requires minimum of operator time and maintenance due to its high degree of instrumentation.

BENEFITS:

- Easy tie-in to all systems
- Intuitive touch operator panel
- Alarm functions/history
- For use on different systems, loop flush program
- Longlife components
- Single phase 16A supply
- High flow range



Series filtering units
for hydraulic and
gear systems

iPACK™ PRO

Same features and benefits as the basic version but with the addition of **sensor hardware to autonomously maintain a preset cleanliness level.**

iPACK™ PRO makes sure that the cleanliness specification is within specified limits. Ideal as a commissioning tool for new and refurbished oil filled systems.

BENEFITS:

- **Autonomous operation**
- Easy tie-in to all systems
- Intuitive touch operator panel
- Alarm functions/history
- For use on different systems, loop flush program
- Longlife components
- Single phase 16A supply
- High flow range

TYPICAL AREAS OF INTEGRATION:

- Hydraulic Power Units
- Drilling related hydraulic systems
- Cranes
- Subsea module handling systems
- Gear and thruster systems
- Hydraulic applications in general





Series filtering units
for hydraulic and
gear systems

Technical Data	Specification	Soloution Benefits
<ul style="list-style-type: none"> - Supply - Dimintions - Weight - Pressure rating - Model/Fluid handling capacity 	<ul style="list-style-type: none"> - 110-220v/50-60Hz/16 amps - LxWxH: 900x400x500 (mm) - Weight: 40-55 kg (300-500) - 11 bar - Item: 300-15l/min - Item: 500-50l/min 	Rigid structure, small volume, easy handling & intergration
Mechanical tie-in (IO's)	¾" all thread standards adaptable or quick connectors	Applicable to all HPU's/Powerpacks make.
User Interface	Local & Central control via high resolution touch based HMI.	Intuitive touch HMI to monitor unit condition and operation of iPack.
HPU/Main system	Programmable presets available on a condition based maintenance interval (PRO) or a time based maintenance interval (BASIC).	Operator time drastically reduced.
iPACK monitoring	All internal systems with status indication and diagnostic feature	As a subsystem, iPACK, requires a minimum of operator resources and maintenance.
Fluid maintenance function, <NAS 6 or eqv in ISO	Particle filtration range : 3-12µm @ β1000 (all composit materials) Water absorbing: yes Serial configuration with full dP monitoring. Select item 300 for reservoir volumes up to 3000 litres Select item 500 for reservoir volumes from 3000 litres	No risk of filter media ingress to system due to mechanical and electrical dP fail-safe feature. Pump has pre-set over by-pass to act as crossover even when system is pressurized. Also electronic pressure monitoring. Drive control benefits are linked to a high degree of flow control, thus solving viscosity issues. Outstanding flow capacity
Order selector	Item nr: 100945 – Descr: iPack Basic 300 Item nr: 100946 – Descr: iPack Basic 500 Item nr: 100947 – Descr: iPack Pro 300 Item nr: 100948 – Descr: iPack Pro 500	